



ENG

Operator's Manual

Read these instructions carefully and make sure you understand them before using the 150.

150

ES

Manual del operador

Lea cuidadosamente estas instrucciones y asegúrese de que las comprende bien antes de usar el 150.

FR

Manuel d'utilisation

Veuillez lire attentivement ces instructions et assurez-vous de bien les comprendre avant d'utiliser la machine modèle 150.



CONTENTS

Content	Page
Table of contents	2
Unpacking	2
Transporting	2
Sound Data	2
Introduction, personal safety	3
Registration of the product	4
General safety message	4
Safety warnings	5
Excel series blades	6
Blade and skid plate installation	6
What is what?	7
Operating instructions	8
Fuel and fuel safety warnings	9
Recommended fuels	9
Recommended oils	9
Maintenance	10
Sawing contraction joints	11
Maximizing the Soff-Cut system	12
Troubleshooting	13
Technical specifications	14
Conformity certificates	14
Warranty	15

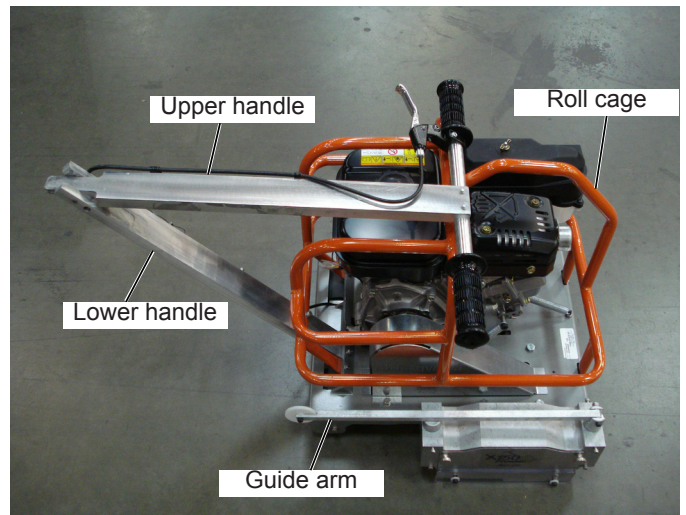
UNPACKING

Your **150** saw has been shipped from the factory thoroughly inspected. Only minimal assembly is required to start using the saw. Remove the saw from the container using proper lifting techniques. Discard or recycle the packing material per your regional laws. In your container will be the **150** saw, a blade shaft cover, two (2) blade shaft wrenches, spark plug wrench, an owner's manual, an engine owner's manual, a part list, a warranty card and a joint protector sample pack.

NOTE: No diamond cutting blade or skid is included with the saw. Purchase the appropriate Excel Series 6 inch blade and skid plate from your local Husqvarna Construction Product dealer.

TRANSPORTING

The **150** saw weights approximately 91 pounds (41 kilograms) when ready to use . Use safe lifting practices when handling the saw. Always remove the diamond blade when transporting the saw. Pull the handle locking pin and fold the handle forward. Fold the guide arm back. The saw can be lifted from the center handle on the roll cage. If 2 people are lifting the saw, use the roll cage bar on each side of the saw and lift with 2 hands. Always store the saw in a completely lowered position and secured from moving.



CAUTION

Only use the roll cage when lifting the 150.

SOUND DATA

According to Standard *ISO 3744:1998* and *Directive 2000/14/EC* for environmental sound level and according to Standard *ISO 11201:1995* for sound level at the operator's position, the **150** saw emits the following:

Sound power level	Lwa 98 dB (A)
Sound pressure level	Lpa 84 dB (A)

WARNING

Always wear safety approved hearing protection.

INTRODUCTION

The **150** is designed as a residential and light commercial Soff-Cut Ultra Early Entry Concrete saw. The patented Soff-Cut Ultra Early Entry dry cutting system controls random cracking of concrete through the early timing of the saw cutting usually within one to two hours after the finishing process is completed. The patented low noise and low dust blade block and skid plate technology in conjunction with Husqvarna Excel blades allows for Ultra Early Entry sawing the same day while minimizing chipping and spalling. The saw is a manual push style with manual controls for all functions.

Common sense:

The focus of this manual is HOW to operate and service the equipment safely.

It is not possible to cover every conceivable situation you can face when using this equipment. Therefore use this product only in a manner described in this manual. Operation or handling the machine in any other manner can lead to serious injury or death.

If a situation is not described in this manual it should be considered dangerous - and not be done.

If you are unfamiliar with this product make sure that you carefully understand how it functions and practice all operations and handling before putting the machine to use. Familiarize yourself in the presence of an experienced operator. Avoid all situations that are beyond your capability.

If you still feel uncertain about the operating procedures after reading these instructions DO NOT operate the machine until you have consulted an experienced operator.

If you have further questions you can contact the closest Husqvarna Construction Products location by writing or calling, see information below. You can also find the closest location by searching the internet at; **www.husqvarnacp.com** . Husqvarna Construction Products will willingly be of service and provide you with advice as well as help you to use your product both efficiently and safely.

Additional manuals are available at NO CHARGE and can also be obtained on the internet site.

Husqvarna Construction Products
265 Radio Road
Corona, California 92879
USA

Toll Free no: 800 776 3328 (USA & Canada)
Phone no: 951 272 2330
Telefax no: 951 272 2338

Internet Site: **www.husqvarnacp.com**

PERSONAL SAFETY EQUIPMENT

When working and operating the saw the following approved personal safety items should be used:



Head
Protection



Hearing
Protection



Eye
Protection



Safety
Shoes



Protective
Gloves

REGISTER THE PRODUCT

Please register your new **150** with Husqvarna Construction Products by mailing in the registration card that came with the machine or you can register on the internet site www.husqvarnawarranty.com

Registration will allow us to contact in case of any critical updates or recalls on this machine. Warranty registration has also been found to be helpful in tracing stolen equipment.

Record the following information for your records:

PURCHASE DATE: _____


MODEL No: _____

SERIAL No: _____

ENGINE MODEL: _____ ENGINE TYPE: _____ ENGINE CODE: _____

The 150 model and serial number as well as the engine model number, engine type and code are critical in order to obtain the correct service parts.

SAFETY DEFINITIONS

In this manual a Safety Alert Symbol  followed by the signal words WARNING and CAUTION are used to identify safety information about hazards which can result in death, serious injury and/or property damage.

These signal words mean:

 **WARNING** indicates a hazard which, if not avoided, **could result in death or serious injury.**

 **CAUTION** indicates a hazard which, if not avoided, **might result in minor or moderate injury.**




NOTICE indicates a message not related to personal injury.

SAFETY HAZARDS

WARNING

DO NOT MODIFY THE PRODUCT

Under no circumstances may the design of the machine be modified without the permission of the manufacturer. Always use genuine accessories. Unauthorized modifications and/or accessories can result in serious personal injury or the death of the operator or others. Your warranty may not cover damage or liability caused by the use of unauthorized accessories or replacement parts.

 WARNING	 WARNING	 CAUTION
ASPHYXIATION HAZARD Running an engine in a confined or badly ventilated area can result in injury or death due to asphyxiation or carbon monoxide poisoning.	CALIFORNIA PROP 65 Use of this product can expose you to materials known to the State of California to cause cancer and/or birth defects or other reproductive harm.	HEARING HAZARD During the normal use of this machine, operator may be exposed to a noise level equal to or higher than 85 dB(A). Use hearing protection.

SAFETY WARNINGS



WARNING

Failure to comply with the following warnings could result in serious bodily injury or death!

PERSONAL SAFETY

- Read and understand instructions before operating saw.
- Always wear safety approved hearing, eye, head and respiratory protection.
- Wear boots with non-slip soles to provide proper footing. Steel-toed safety boots are recommended.
- Wear rubber work gloves to avoid contact with wet concrete which can cause serious skin irritation.
- Know how to stop the saw quickly in case of emergency.
- Keep all parts of your body away from blade and other moving parts. Do not wear loose clothing or jewelry which can be caught in moving parts. Wear protective hair covering to contain long hair.
- Use caution when loading and unloading saw.
- Stay alert. Maintain awareness of saw operation. Use common sense. Do not operate saw when tired or after consumption of any substance that would impair physical function or rational judgment.
- Do not over reach. Keep proper footing and balance.

WORK AREA SAFETY

- Never operate the saw in any application or job where you are not trained or supervised.
- Keep visitors, children and animals out of the work area.
- Observe all safety regulations for the safe handling of fuel. Gasoline is extremely flammable and its vapors can explode if ignited. Do not refuel indoors or in poorly ventilated areas. Handle fuel in safety containers. Shut off the engine and allow it to cool before refueling. Wipe the saw dry if fuel is spilled on it. Always move away from the fueling area before starting the engine. Do not smoke while refueling.
- Do not operate the saw while smoking or near an open flame.
- Do not operate the saw in areas of combustible material or fumes. Sparks may occur from the saw that could cause a fire or explosion.
- Operate only in well ventilated areas. Engine exhaust contain carbon monoxide which can cause loss of consciousness and possible death.
- The muffler and engine become very hot during operation. Keep all body parts and foreign material away from the engine while running.
- Avoid dangerous environments. Do not expose saw to rain. Keep work area well lit and clean.

SAW SAFETY

- Do not leave saw unattended while the engine is running.
- Do not alter the saw. Any alteration or modification is misuse and may result in a dangerous condition.
- All safety guards must be in place before starting the engine.
- Only operate the saw from behind the machine with both hands on the handle.
- Do not use damaged equipment, blades, guards or personal protection equipment. Do not disable safety equipment or kill switches.
- Do not operate the saw if there is a fuel leak.
- Use extreme caution when maneuvering the saw on ramps or loading and unloading from trucks or trailers.
- Use only Husqvarna Construction Products replacement parts. Use of unauthorized parts may create a danger.
- Do not use the saw as vehicle for transporting personnel or equipment.
- Remove the ignition cable from the spark plug before performing saw maintenance or changing blades to prevent accidental engine starting.
- Remove all wrenches from the saw before starting.
- Never stand on the saw.
- When the saw is not in use or transporting, remove the blade and lower the saw completely. Properly secure the saw to prevent accidental movement.

BLADE SAFETY

- Examine cutting blades before each use. Do not use any blades that has cracks, nicks, or flaws. Tri-arbor hole should be undamaged. Use only dry cut, steel centered, tri-arbor diamond blades made for cutting green concrete.
- Husqvarna Excel Series diamond blades are designed to only cut green concrete. Cutting any other material may result in blade failure or a dangerous condition.
- Inspect blade flanges for damage, excessive wear and cleanliness before mounting the blade. The blade should fit snugly on clean, undamaged, tri-arbor shaft.
- Use only Husqvarna Excel Series blades or blades marked with a maximum operating speed greater than 4450 rpm.
- Never operate the saw without the blade block assembly securely in place including blade cover, lexan shields and skid plate installed in working order. A damaged blade block assembly must be replaced to protect the operator.
- Make sure the blade does not make contact with the ground or any other surface when maneuvering the saw.
- Avoid getting in direct line with the blade or contacting the blade while it is rotating.

EXCEL SERIES BLADES

The Excel Series of diamond blades have been designed specifically for the Soff-Cut Ultra Early Entry dry cutting system of green concrete. These specialty blades are designed to increase speed and life while cutting a wide range of aggregates. Choose the correct specification of diamond blade for your area as follows:

Purple Excel Series 1000	XL6-1000	Ultra hard aggregate and non abrasive sand
Green Excel Series 2000	XL6-2000	Hard to ultra hard aggregate and non abrasive sand
Red Excel Series 3000	XL6-3000	Hard aggregate, medium abrasive sand
Orange Excel Series 4000	XL6-4000	Medium hard aggregate, medium abrasive sand
Yellow Excel Series 5000	XL6-5000	Medium hard to soft aggregate, abrasive sand
Black Excel Series 6000	XL6-6000	Soft aggregate, highly abrasive sand

BLADE AND SKID PLATE INSTALLATION

Step 1

With the saw turned off, fold the saw handle to its full upright position and install the locking pin in the handle. With both hands, push down on the handlebar and raise the saw to its full height and locked position.

Step 2

Remove the blade block cover (A) by turning the two locking knobs counter-clockwise. With the two wrenches supplied with the saw, insert one in the slot at the front of the engine and one on the bolt on the blade shaft in the blade block (J). Rotate the blade shaft counter-clockwise with wrench on the blade shaft bolt (C) until the second wrench engages the flats on the other end of the shaft.

Step 3

Remove the blade shaft bolt by continuing to turn the bolt counter-clockwise. Remove the outer arbor washer or flange (D).



WARNING

Inspect the blade (F) for any damage. Do not use any blade that has cracks, nicks, flaws or a damaged arbor. Make sure the blade is marked with a maximum operating speed greater than 4450 rpm.

Step 4

Match the blade tri-arbor to the blade shaft arbor and install the blade firmly against the rear flange (H). Insure the blade is installed on the tri-arbor correctly. Match the female tri-arbor of the outer washer or flange with the blade shaft and install the blade shaft bolt turning clockwise. Be sure the outer flange is fully seated and firmly holding the diamond blade in position.

Step 5

Install a new skid plate (G) by hooking the front on the front blade block shaft pin. Connect the rear blade block shaft and the rear of the skid plate by installing the locking pin (B).

Step 6

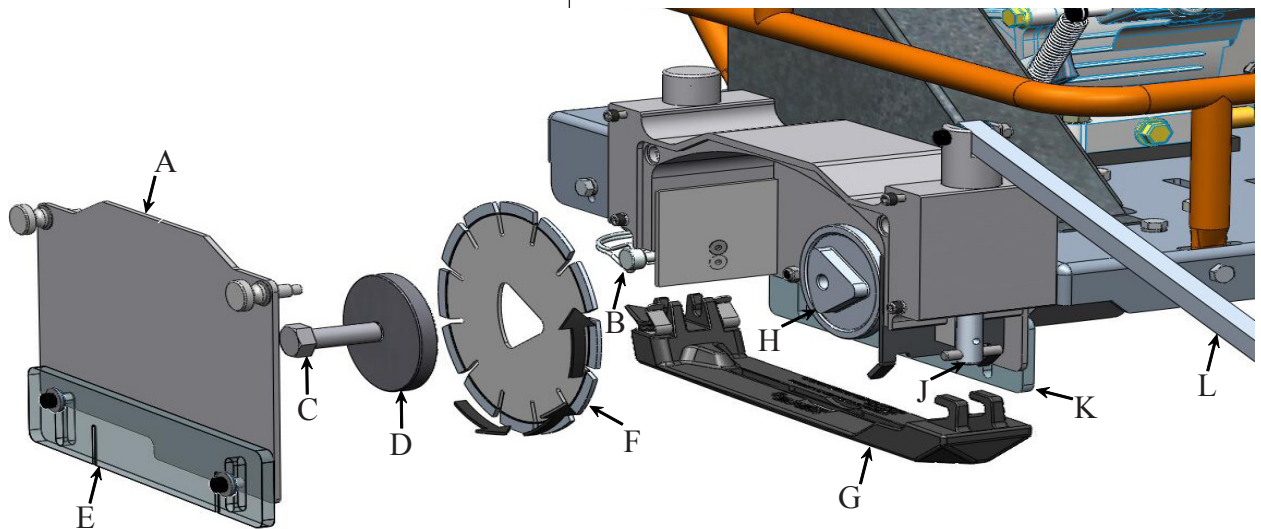
Install the blade cover by turning the two knobs and tighten until fully seated against the blade block. Lift the front and rear of the skid plate to insure the blade slides through the skid plate freely.

Step 7

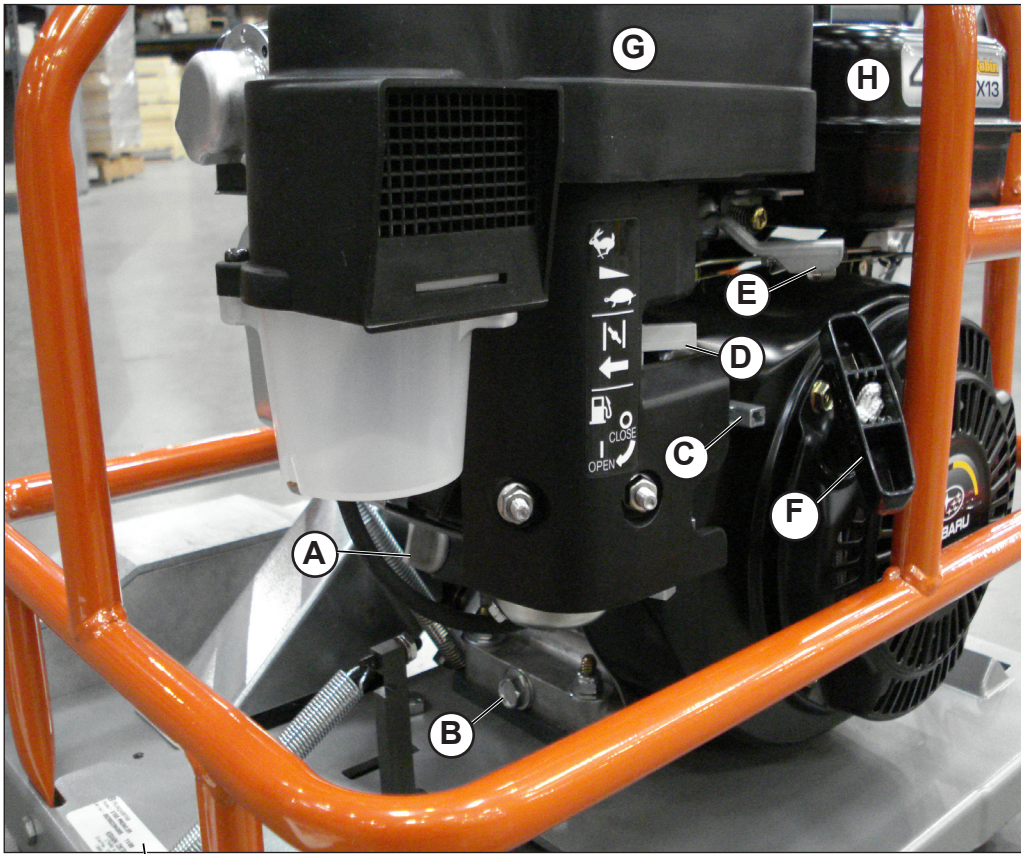
Insure the lexan shields (E & K) move freely up and down. When replacing a worn blade, thoroughly clean the concrete from blade block and blade cover before installing the new blade. Discard the old skid plate and replace it with a new skid plate.

NOTE:

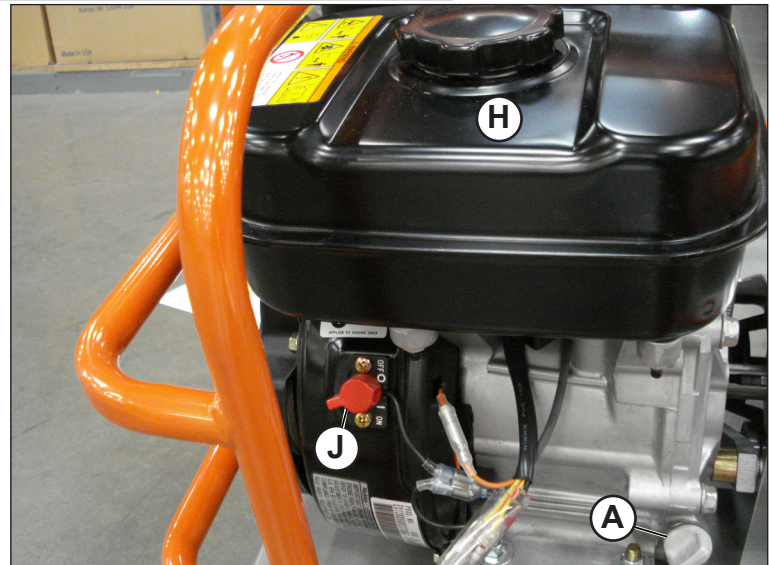
The patented skid plate is the most important part of the Soff-Cut Ultra Early Entry system. If it is bent, twisted or damaged, spalling and raveling of a cut may result. Store skid plates carefully and install them properly. Install a new skid plate with each new blade. Never re-use skid plates.



WHAT IS WHAT



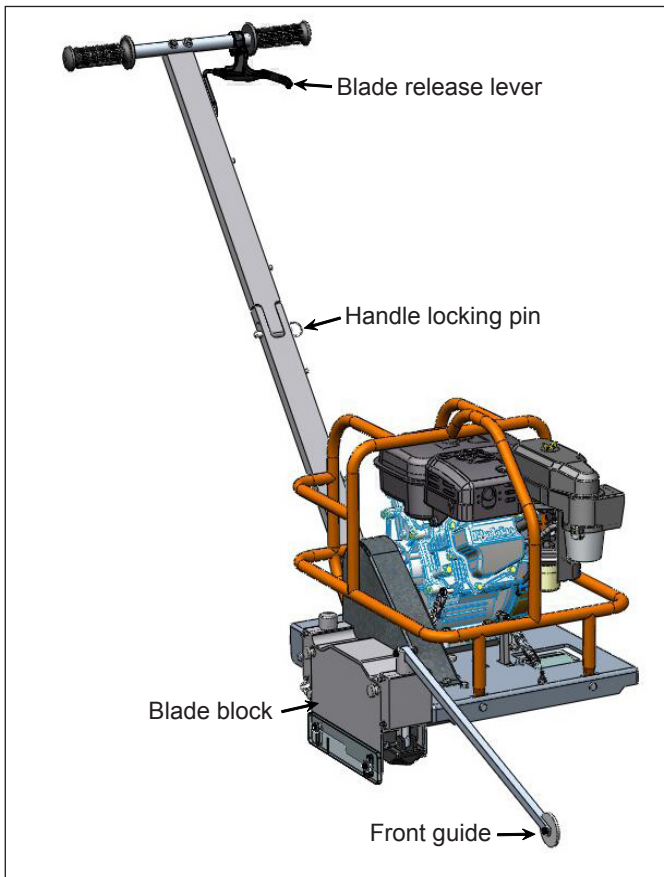
Model number and serial number



What is what?

- A. Oil dipstick or fill
- B. Oil drain
- C. Fuel shut off lever
- D. Choke lever
- E. Throttle lever
- F. Starter rope
- G. Air cleaner
- H. Fuel tank
- J. Engine on/off switch

OPERATING INSTRUCTIONS



Experience is very important when running the **150** saw. A skilled worker is highly recommended. Always do an inspection of the saw before starting the engine. Check the fuel (H) and oil level (A) per the enclosed engine manual. SAE 10W/30 oil and unleaded gasoline with an 87 or higher octane should be used. Observe all safety regulations for the safe handling of fuel. Always check the engine oil with the saw turned off, completely lowered and the engine level! Do not screw the oil dipstick into the oil filler neck to check the oil level. Check that all controls are in good working order. Check for loose bolts or nuts. Check for fuel or oil leaks.



WARNING

Do not operate saw if there is a fuel leak!

Insure all guards are secure, undamaged and properly installed.



WARNING

Do not operate the saw unless all guards, safety equipment and the engine kill switch are in place and operational!

Check the air filter (G) and clean or replace if necessary. Check for proper specification of blade and that the skid plate operates properly. Check that the blade and skid plate are in good condition. Check that the handle is in full upright position and pinned. Check that the front guide is rotated to the forward position. Make sure the work site is clean, well lit and hazard free.



WARNING

ASPHYXIATION HAZARD

Running an engine in a confined or badly ventilated area can result in injury or death due to asphyxiation or carbon monoxide poisoning.

To start the engine, turn the fuel valve (C) on by the carburetor on the side of the engine. Raise the blade by pushing down on the handle bar with both hands to the full and locked position. Turn the engine kill switch (J) to the "ON" or "1" position. Move the engine throttle lever (E) 1/3 of the way to the open position. Close the engine choke lever (D). The closed choke position enriches the fuel mixture for starting a cold engine. The open choke position provides the correct fuel mixture for operation after the engine starts and for restarting a warm engine. Start the engine by pulling the rope handle (F) on the side of the engine. After the engine starts, slowly open the choke. Allow the engine to warm for a few minutes.

Open the engine throttle lever to full open position for maximum engine speed. Line up the saw with the cut line using the white wheel on the front guide and the triangle pointer on the back of the blade block. Push down on the saw handle and pull the blade release lever to lower the blade in the concrete slowly. Push the saw forward to cut keeping the front guide wheel in the cut line. Push the saw at about half speed for the first 50 feet to allow the blade to develop good diamond exposure or open up and promote full blade life. Increase the forward speed of the saw until the blade and engine are working at maximum efficiency. **Do not force the saw.** When approaching a wall, raise the front guide and use the triangle guide at the back of the blade block to cut the last few feet. **Do not hit the blade block assembly against any object.** Damage may result. Push down on the back of the handle bar to raise the saw out of the cut to the full locked position. Move the engine throttle lever to the full closed position. Turn the engine kill switch to "OFF" or "0" position.



WARNING

Do not leave the saw unattended while the engine is running! Always secure the saw from movement while unattended.

Always clean the blade block assembly thoroughly before storing the saw. Always close fuel valve before transporting. The saw will leave two trails of concrete cuttings. Lightly sweep the cutting parallel to the cut with a soft bristle broom. **Do not walk on the joints or transport equipment across the joints until the concrete fully hardens.**



WARNING

Before each use, carefully inspect the 150 for any damage to any of its parts and components. Pay careful attention to any leakage of gasoline or oil. Under no circumstance should the 150 or any of its attachments be operated if you find damage or are suspicious that something appears to be damaged.

FUEL HANDLING



WARNING

Taking the following precautions will lessen the risk of injury and property damage:

- Use extreme care in handling gasoline. It is extremely flammable and the vapors are explosive.
- Extinguish all cigarettes, cigars, pipes, and other sources of ignition.
- Use only approved gasoline containers.
- Never remove gas cap or add fuel with the engine running. Allow engine to cool a minimum of 3 minutes before refueling.
- Never fuel the machine indoors.
- Never store the machine or fuel container where there is an open flame, spark, or pilot light such as on a water heater or other appliances.
- Never fill containers inside a vehicle or on a truck or trailer bed with a plastic liner. Always place containers on the ground away from your vehicle when filling.
- Remove the 150 from the truck or trailer and refuel it on the ground. If this is not possible, then refuel the equipment with a portable container, rather than from a gasoline dispenser nozzle.
- Keep the nozzle in contact with the rim of the fuel tank or container opening at all times until fueling is complete. Do not use a nozzle lock-open device.
- If fuel is spilled on clothing, change clothing immediately.
- Never overfill fuel tank. Always wipe off any spilled fuel or oil. Replace fuel cap and tighten

PROPER FUEL

The Robin engine is certified to operate on automotive unleaded gasoline with a pump octane rating (M+R) of 87 or higher. Fuel tank capacity is 0.7 gallon (2.7 liters).

Refuel in a well-ventilated area with the engine **stopped**.

You may use regular unleaded gasoline containing no more than 10% ethanol (E10). Do not use gasoline containing methanol.

Use of fuels with an ethanol content of more than 10% (E10) may cause starting and/or performance problems. It may also damage metal, rubber, and plastic parts of the fuel system, as well as posing a fire hazard.

Do not use fuel that is older than 30 days. Old fuel can cause running problems as well as fuel system damage.

The engine will not operate on gasoline marketed as E-85 (85% ethanol)

OIL HANDLING

NOTICE

Used oil is a hazardous waste product. Dispose of used oil properly. Do not discard with household waste. Check with your local authorities, service center, or dealer for safe disposal/recycling facility.

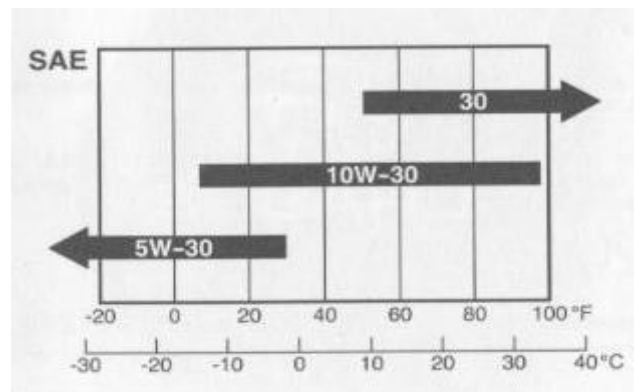
ENGINE OIL

Oil Recommendation

The engine holds approximately 0.6 quart (0.6 liter) when changing oil.

- Use a 4-stroke automotive detergent oil of API service class SE or higher grade.
- Do not use special additives.
- Choose a viscosity according to the table below.

Please read the enclosed Robin Operator's Manual for complete oil information.



MAINTENANCE

Engine Oil

Checking, Adding and Changing Oil

Check the engine oil level (A) daily with saw fully lowered and the engine level. See the enclosed Robin manual for more details.

Use SAE 10W-30 viscosity detergent automotive type with API service class SE or higher grade oil.

Note: Engine holds approximately 0.6 quart (0.6 liter) when changing oil and oil filter.

Changing the Oil

Change oil after the first 5 to 8 hours of use. Thereafter every 50 hours.



The oil drain plug is located at the bottom of the engine block. Place a pan under the drain and remove the plug. Drain the oil and replace the plug. Using a long neck funnel, fill the engine with 0.6 quarts (0.6 liters) of oil. When full, the oil level should be at the high level mark on the dipstick (A) or to the top of the threads on the engine fill hole. The engine is equipped with an oil alert system that will stop the engine if the oil level is low.

NOTICE

Used oil is a hazardous waste product. Dispose of used oil properly. Do not discard with household waste. Check with your local authorities, service center, or dealer for safe disposal/recycling facility.

AIR FILTER

The air cleaner element should be replaced every 50 hours. Refer to the supplied engine manual and the "Cyclone Dual-Filter-Element Type" for additional information.

ADDITIONAL ENGINE INFORMATION

Please see the Robin Operator's Manual for additional information about servicing the engine.

The manual also has specific information about specifications, tune-up parts, engine warranty, emission compliance, etc.

Guards

Check all guards for damage and proper function daily especially the blade block. Blade block and cover should be secure to the saw and not damaged. Lexan side covers on the blade block should move freely up and down.

Diamond blade

Inspect diamond blades daily for damage, cracks, secure fit to the arbor, loss of segments, warping or overheating. **If any blade shows any of these problems, discard the blade and never use.**

Skid plate

Inspect the skid plate daily for damage, excessive wear in the blade slot, burrs on the concrete surface side, twisting and free movement up and down when installed in the blade block. Replace the skid plate with each new diamond blade. Never reuse skid plates or spalling and ravelling may results.

Saw controls

Inspect all controls for proper function daily. **Check the engine on/off switch (J) for proper operation.**

Belts

Inspect the blade drive belt for cracks or signs of wear. The belt tension is controlled by belt tensioner and does not require adjustment. Inspect the belt tensioner for free movement up and down. Insure the belt tensioner bearings roll freely.

Blade shaft bearings

Lubricate the blade shaft bearings with 3 pumps of Lithium 12 based grease every 50 hours.

Cleaning

Clean the blade block of any excess concrete build up after each use. Keep the handle bars and controls clean and dry. Immediately clean any spilled fuel (H) from the saw. Keep all openings and slot on the saw clean open so air flows freely through the engine compartment to insure proper cooling.

MAINTENANCE SCHEDULE

Check guarding, diamond blade, skid plate, lexan covers, controls and oil levels.	Daily
Clean blade block assembly and saw.	Daily
Replace air cleaner.	Every 50 hours
Replace engine oil.	Every 50 hours
Grease blade shaft bearings.	Every 50 hours
Check blade drive belt.	Every 50 hours



WARNING

Do not modify the saw! Use only Husqvarna Construction Products replacement parts. Use of unauthorized parts may create a danger or damage the engine.

SAWING CONTRACTION JOINTS

As concrete hydrates or cures and begins to set, it develops internal stresses which may cause random cracks. Random cracks cast doubt on the quality and workmanship of the concrete. Contraction joints are cut in concrete to relieve these stresses before they seek their own relief in the form of random crack. The Soff-Cut Ultra Early Entry system controls random cracking through the early timing of a saw cut at predetermined locations to create weakened planes in the concrete that subsequently crack at the bottom of the cut to relieve stress. Husqvarna sawed contraction joints should be a minimum of 1/8th the concrete depth and a minimum of 1" (25mm) deep. Contraction joints should be sawn as soon as the concrete will support the weight of the saw and the operator without marking or damaging the concrete. There are many possibilities for joint layout. Joint layout should be provided, the saw contractor should submit a detailed joint layout for approval prior to cutting. Several factors affect joint spacing including:

- Concrete thickness
- Type, amount and location of reinforcement
- Shrinkage potential of concrete-cement (type, quantity), aggregate (size, quantity, quality), water to cement ratio, admixtures, concrete temperature
- Base friction
- Slab restraints
- Layout of foundations, racks, pits, equipment pad, trenches, etc.
- Environmental factors - temperature, wind, humidity
- Methods and quality of concrete curing.

Generally, contraction joint patterns should divide slabs into approximate square panels per the recommended spacing shown.

RECOMMENDED CONTRACTION JOINT SPACING	
<u>Concrete thickness, in. (mm)</u>	<u>Maximum spacing, ft. (m)</u>
3.5 (90)	8 (2.4)
4, 4.5 (100, 114)	10 (3.0)
5, 5.5 (125, 140)	12 (3.6)
6 (150) or greater	15 (4.5)

At all intersecting cross cuts, install Husqvarna joint protectors at each joint to prevent joint damage. Install an additional joint protector where the right wheel will cross the joint to prevent concrete damage.

MAXIMIZING THE SOFF-CUT SYSTEM

“ **The timing of concrete operations - especially finishing and jointing - is critical**”, states a quote from the foreword of the American Concrete Institute (ACI) 302.1 R-96. It goes on to say that “Failure to address this issue can contribute to undesirable characteristics in the wearing surface as cracking...” (It mentions other problems).

The patented Soff-Cut Ultra Early Entry system has revolutionized the method used to control random cracking. While Soff-Cut is being specified more today than ever, sometimes the ultra early-entry spec is not always followed on the job site. In order for the Soff-Cut system and an experienced Husqvarna contractor to do a satisfactory job, four components must exist to meet the “specification”:

1. A Soff-Cut Ultra Early Entry dry up-cut saw
2. A Husqvarna Excel Series dry-cutting diamond blade
3. A Husqvarna anti-ravel skid plate installed with every new diamond blade
4. An operator skilled in using the Soff-Cut Ultra Early Entry cutting system.

Without this, joints can not be cut clearly enough to control random cracking before it starts, which is what the building owner is paying for.

The ACI Spec 302.1R-96 says it best:

“Early-entry dry-cut saws use diamond-impregnated blades and a skid plate that helps prevent spalling. Timely changing of skid plates is necessary to effectively control spalling. It is best to change skid plates in accordance with manufacturer’s recommendations...The goal of saw-cutting is to create a weakened plane as soon as the joint can be cut...The timing of the early-entry process allows joints to be in place prior to development of significant tensile stress in the concrete...”

The Portland Cement Association (PCA) engineering bulletin, Concrete Floors on the ground, also states:

“Proper jointing can eliminate unsightly random cracks. Aspects of jointing that lead to a good job are choosing the correct type of joint for each location, establishing a good joint pattern and layout, and installing the joint at the correct time... **Timing of joint sawing is critical**...Lightweight, high-speed, early-cut saws have been developed to permit the joint sawing very soon after floor finishing, sometimes within 0 to 2 hours...if the cut is sawn within a few hours after the final finishing, random cracking can be controlled...”

Husqvarna has the only Ultra Early Entry dry-cutting system (Soff-Cut) which controls random cracking through the early timing of the cut. With the patented Soff-Cut method, control joints are usually cut within 0 to 2 hours after the finishing process. Joint cutting should begin as soon as the concrete will support the weight of the saw and the operator at each joint location and before final set. If the joints are not being cut within this time frame then the Soff-Cut Ultra Early Entry method is not being followed and building owners are not getting what they are paying for or the finished product that they expect.

We hope this information is beneficial to building owners, general contractors, concrete finishers, saw operators and the entire industry. For additional information, contact Husqvarna Construction Products at (951) 272-2330 or (800) 776-3328, or see our website www.husqvarnacp.com.

TROUBLESHOOTING

SAW IS SPALLING AND RAVELLING CUT

- Check to see if the diamond blade is worn out, glazed, warped or damaged.
- Insure skid plate moves freely up and down the entire shaft length without contacting the diamond blade.
- Check skid plate for excessive wear or gap around the diamond blade.
- Check bottom of skid plate for metal burrs or irregularities.
- Insure skid plate is not twisted or bent.
- Check lexan covers for free movement up and down.
- Insure there is spring down pressure at each end of the skid plate.
- Do not twist or move the saw sideways while cutting.
- Check that the engine is running properly and at full throttle.
- Check belt and belt idler for proper tension.
- Insure the diamond blade is properly mounted and secured with clean flanges.
- Insure that the diamond blade is the correct specification for your area.
- Insure the slab is in clean with no debris that could raise the skid plate or saw while cutting.
- Use Husqvarna joint protectors at all cut intersections.
- Clean excess concrete debris from the blade block assembly.
- Check that the scrapers in the blade block are not bent or binding.
- Insure that the blade block shafts are not bent or damaged.

SAW PULLS TO ONE SIDE WHILE SAWING

- Check front guide is properly aligned with the center of the diamond blade.
- Check to see if diamond blade is worn out, glazed, warped or damaged.
- Do not twist or move the saw sideways while cutting. Make gradual changes in pressure on the handlebar to control the saw in the cut.
- Insure that all wheels rolls freely and smoothly.
- Do not force the saw. Allow the diamond blade to cut at its own rate of speed.
- Check the skid plate for damage or burrs.

ENGINE WILL NOT START

- Check if there is fuel in the tank and it is the correct fuel. Make sure there is no water in the fuel.
- Check if the fuel valve is turned to the “on” position.
- Check if the kill switch is in the “on” position.
- Check that the spark plug wire is connected to the spark plug.
- Engine is flooded. Adjust the choke per the engine owner’s manual.
- Check the choke is in the “on” position for cold starts. Adjust the choke per the engine owner’s manual.
- Oil level is too low. Engine is equipped with an oil alert system that will not let the engine start unless the engine oil level is within the correct range.
- Check that air filter is not dirty or plugged.
- Check that the blade shaft rotates freely and no concrete has built up in the blade block.

ENGINE RUNS ROUGH, BACK FIRES OR CAN NOT REACH FULL SPEED

- Check if there is fuel in the tank and it is the correct fuel. Make sure there is no water in the fuel.
- Check for correct oil level. Engine oil alert system may function intermittently if oil level is not within the correct range.
- Check that air filter is not dirty or plugged
- Check that spark plug is clean and properly gapped.
- Check that throttle lever is properly set
- Check the choke is in the “on” position for cold starts. Adjust the choke per the engine owner’s manual.
- Oil level is too low. Engine is equipped with an oil alert system that will not let the engine start unless the engine oil level is within the correct range.

TECHNICAL SPECIFICATIONS

Weight and Dimensions 150

Weight – dry	84 lbs	38 kg
Weight with gasoline and oil full	91 lbs	41 kg
Length (handle folded in)	34 inch	864 mm
Width	19 inch	483 mm
Height	21 inch	533 mm

Blade

Material cut	Green concrete only	
Blade type	6.0 inch (152 mm) dry cut with tri-arbor	
Blade rotation	Counter clockwise, upcutting	
Blade shaft speed	4450 rpm	
Cutting depth	1 to 1 3/16" (25 to 30 mm) depending on amount of blade wear	
Cutting distance from wall	3 inch	76 mm

Average cutting rate - Estimate only. Speed will vary with job conditions and concrete mixes.

Soft aggregates	12 ft/min	3.7 m/min
Medium aggregates	8 ft/min	2.4 m/min
Hard aggregates	4 ft/min	1.2 m/min

Engine:

Engine oil volume	0.6 quarts	0.6 liters
Gasoline tank volume	0.7 gal	2.7 liters
Type	Air cooled, 4-cycle, single slant cylinder, overhead camshaft, gasoline engine	
Air filter	Cyclonic type	
Oil system	Oil alert with auto shut down sensor	
Muffler	Silent type 75 dbA, exhaust deflector, spark arrestor	
Emissions	Complies with EPA Phase 2 and CARB Tier II USA regulations	
Cooling	Air cooled with internal and external cooling fins	
Cylinder	Aluminum with cast iron liner	
Controls	Engine manual throttle, choke and fuel shut off levers, manual on/off switch	
Starting system	Manual recoil starter with automatic mechanical compression release and zero kick back	

CONFORMITY CERTIFICATES

CALIFORNIA AIR RESOURCES BOARD (CARB): This machine is considered a preempt Off-Road Application as relating to CARB standards. Under construction equipment, and in particular, as a Saws : concrete, masonry, cutoff, with engine power less than 19KW (25hp), CARB standards do not apply to this machine.

For more information see the website <http://www.arb.ca.gov/msprog/offroad/preempt.htm>

WARRANTY

HUSQVARNA EQUIPMENT WARRANTY

New **150** sold by Husqvarna Construction Products are warranted to be free from manufacturing defects in normal service for a period of six (6) months for labor and up to one (1) year on parts from date of purchase by the original consumer purchaser or date of introduction into rental company fleet.

Our obligation under this warranty is expressly limited to the replacement or repair at Husqvarna Construction Products, or at a service facility designated by us, of such part or parts if inspection shall disclose it to have been defective.

This warranty does not apply to defects caused by damage, unreasonable use, faulty repairs made by others (or defects caused by failure to provide reasonable maintenance, while in the possession of the consumer). Further, the warranty is void if the product, or any of its components, are altered or modified by the consumer purchaser, or if the product is used in an inappropriate manner not recommended by the manufacturer.

The use of any other blade except Husqvarna Construction Products blades and skid plates will void the warranty and could cause internal damage to the motor.

In no event shall Husqvarna Construction Products be liable for any indirect, incidental or consequential damages from the sale or use of the product. This disclaimer applies both during and after the term of this warranty.

This warranty gives you specific legal rights and other possible rights, which may vary from state to state. Some states do not allow the exclusion or limitation of incidental or consequential damages so the above limitation or exclusion may not apply to you. Some states do not allow limitations on how long an implied warranty lasts so the above limitation may not apply to you.

WARRANTY ON ENGINE

Husqvarna Construction Products does not perform warranty repairs or reimburse for warranty repairs on engines. Engine warranties are provided by the engine manufacturer.

To obtain warranty repair: Take your engine along with your proof of purchase to any general purpose dealer or distributor nearest you.

If you are unable to obtain warranty service or are dissatisfied with the warranty service you received, contact the owner of the dealership involved. Normally, this should resolve your problem. For further assistance, call our parts and service department at 1-800-776-3328 or 1-951-272-2330.

WARRANTY ON REPLACEMENT PARTS

There is a three (3) months warranty from date of purchase on all replacement parts.

COPYRIGHT 2009 HUSQVARNA CONSTRUCTION PRODUCTS

Covered by one or more of the following U.S. Patents

4769201, 4889675, 4928662, 4938201, 5056499, 5086750, 5184597, 5303688, 5305729, 5373834, 5441033, 5505189, 5507273, 5570677, 5575271, 5579754, 5582899, 5603310, 5660161, 5664553, 5666939, 5689072, 58030371, 6892719, 6990972, 7073495, 7163010, 7258115.

Other U.S. and foreign patents pending.



www.husqvarnacp.com

505 41 78-09